

# **The Windshear<sup>®</sup> SideShot**

PROTO-VEST, INC.



- **Touch-less**
- **Low Maintenance**
- **High Car Per Hour Count**
- **Modular Design**
- **One 15hp Blower**

## Machine Operating Requirements\*

### EQUIPMENT

- A** OVERALL LENGTH  
34 1/2 in.
- B** OVERALL HEIGHT  
103 in.

### MOTORS

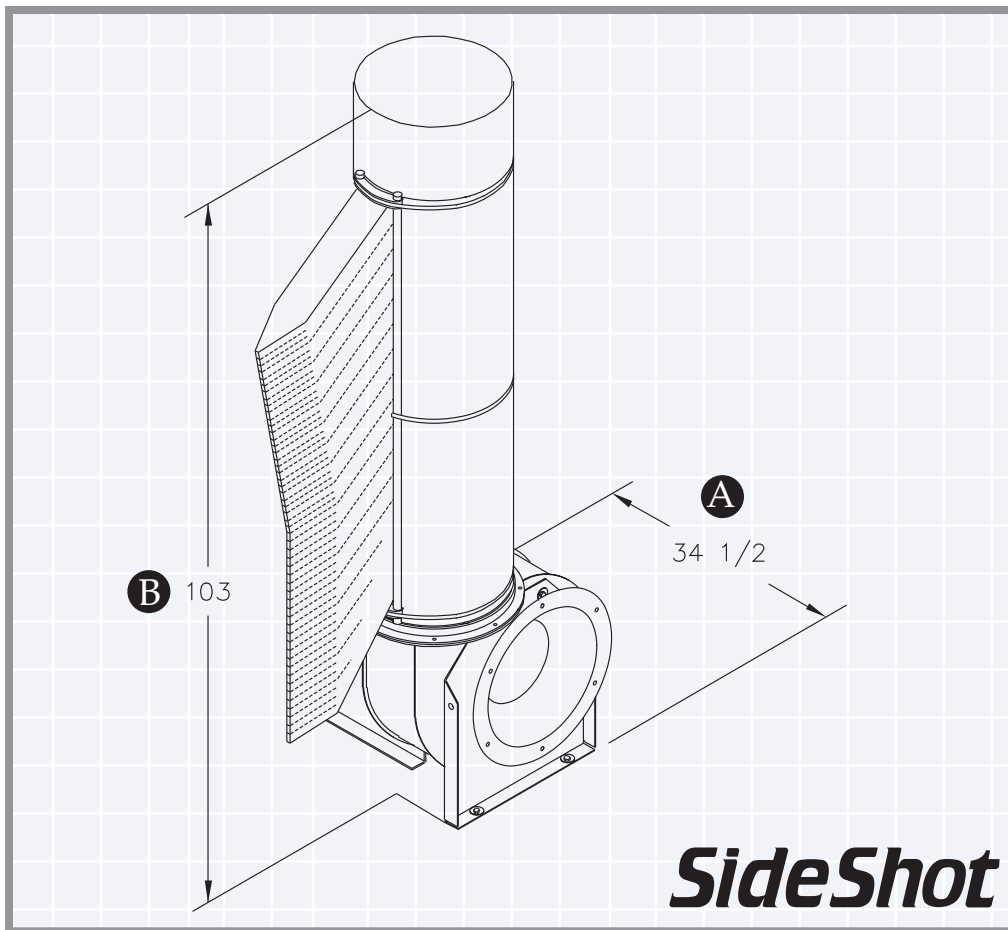
- 15-hp, 3600 RPM's
- 208-230 / 460 volts
- 1.15 service factor
- Frame: 254T
- 3 Phase
- Fan-cooled, totally enclosed

*NOTE: Wiring and controls to be provided by the purchaser. Additional motor specifications available upon request. Additional voltages available on special order.*

### EQUIPMENT OPTIONS

- Green, Red, Blue or Custom Bag Colors
- The Silencer Package

Weight: 600 lbs. (approximate)



### GENERAL DESCRIPTION

The Proto-Vest "SideShot" is designed as both a stand alone and modular drying system. It is ideal for tunnels, rollovers and self-service operations. This dryer is usually packaged as a combination unit that can be used in conjunction with any of the Windshear®, Stripper® or IP Series® line of products. When packaged as a modular system, the "SideShots" can assist in providing an additional 30-hp of drying capability to any carwash application. This patented system utilizes one 15-hp blower, plenum and a 67" Proto-Duck™ side bag to direct air across the vehicle as it passes by the equipment.

Proto-Vest's stringent standards in material selection for our dryers results in extended equipment life and reduced maintenance. The SideShot's blower assembly is manufactured from powder coated steel and is AMCA certified. Its plenum is made from 5052-H32 aluminum and its bag is produced from durable Proto-Duck™ material to resist corrosion and tearing.

### FEATURES / BENEFITS

#### Patented Touchless Design:

Pressurized air flows through a patented bag which directs air to the vehicle's horizontal and vertical surface. The SideShot's primary function is to dry the windows, doors, fenders and tires of the vehicle without touching.

#### Low Maintenance:

Other than the blower/motor assembly, there are no moving parts to wear-out or break down.

(Please note that Proto-Vest recommends routine maintenance in order to maximize product life.)

#### Line Speed Efficiency:

When packaged with specific Proto-Vest drying systems, the SideShot can assist in providing a 95% dry car at line speeds up to 100+ cars per hour. Additionally, this system can aid in reducing in labor costs.

#### Compact / Modular design:

This equipment requires minimal floor space as a stand alone or supplemental dryer.

### DECIBEL READINGS

With Silencer / Without Silencer  
(WS) (WOS)

SideShot - (1) 15-hp dryer:

WS: 10 ft=74.5 dBA; WOS: 10 ft=82.9 dBA

WS: 20 ft=68.5 dBA; WOS: 20 ft=76.9 dBA

WS: 30 ft=64.9 dBA; WOS: 30 ft=73.4 dBA

WS: 40 ft=62.4 dBA; WOS: 40 ft=70.9 dBA

WS: 50 ft=60.5 dBA; WOS: 50 ft=69 dBA

(The above decibel readings are interpolated.)

### SERVICE / SUPPORT

Proto-Vest recognizes that support after the sale of equipment is critical to the success of our customers. Our company offers its customers access to a wide range of services including: field service technicians, factory direct aftermarket parts, and an engineering staff for custom designed applications.

Proto-Vest Patents:

U.S.: 3,942,430; 4,161,801; 4,409,035; 4,418,442; 4,433,450; 4,445,251; 4,446,592; 4,589,160; 4,700,426; 5,027,714; 5,184,369; 5,187,881; 5,195,207; 5,280,665; 5,421,102; 5,553,346; 5,886,648; 5,901,461; 5,950,324; 5,960,564; 6,038,781; 6,176,024; 6,519,872; others pending.

Canada: 1,021,996; 1,111,328; 1,190,453; 1,201,040; 1,197,439; 1,219,195; 1,219,192; 1,219,194; 1,258,026; 1,219,193; 2,013,749; 2,071,568; 2,071,239; 2,071,388; others pending.

**Proto-Vest Inc.**

\*Specifications subject to change without notice.

\*\*If starting motor over 10-12 times an hour it may be more efficient to leave blower on.

Proto-Vest, Inc., 7400 N. Glen Harbor Blvd., Glendale, AZ 85307 • 800-521-8218 • 623-872-8300 • Fax 623-872-6150  
www.proto-vest.com

© Copyright 1998, Proto-Vest, Inc. All rights reserved.