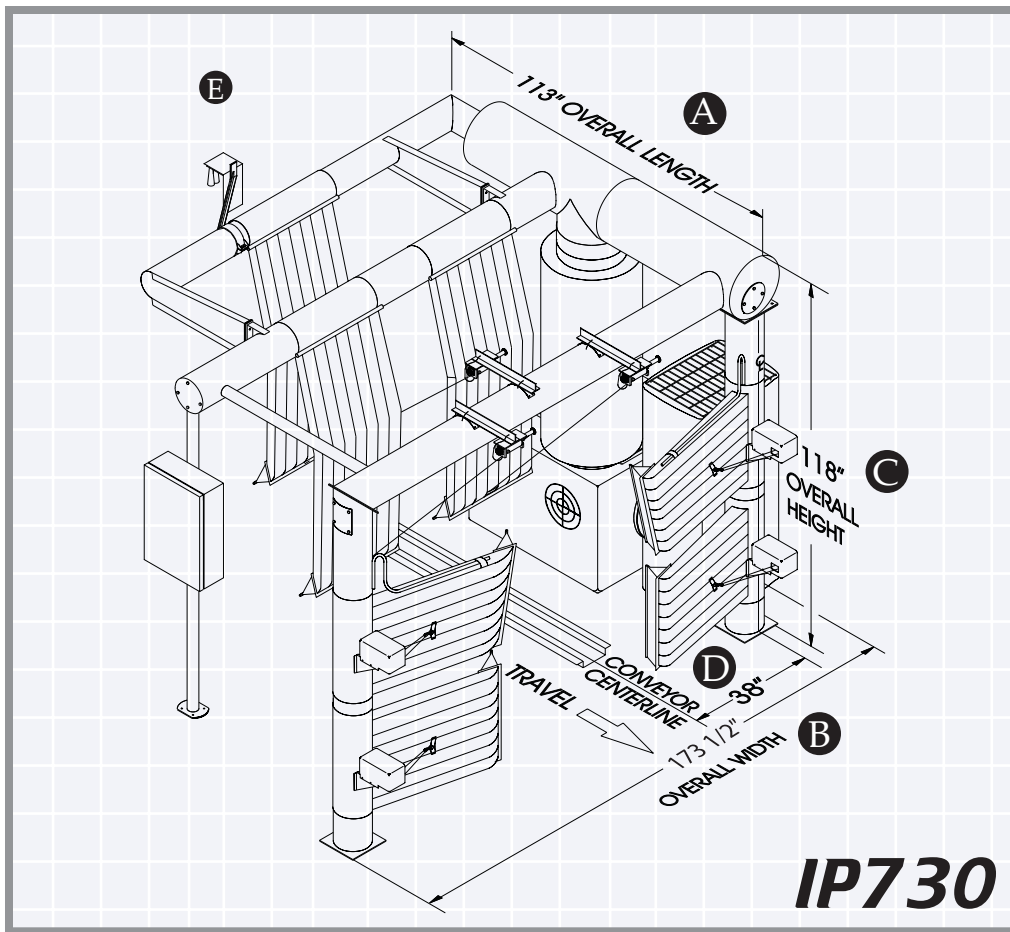


P730



- Integrated Processor Logic System
- Minimal Decibel Levels
- Touch-less
- High Vehicle Count Per Hour
- 30hp Blower

Proto-Vest[®] Inc.



EQUIPMENT

- Ⓐ OVERALL LENGTH**
113 in.
- Ⓑ OVERALL WIDTH
173 1/2 in.
- Ⓒ OVERALL HEIGHT
118 in.
- Ⓓ CONVEYOR CENTERLINE
38 in.
- Ⓔ VRS SENSOR LENGTH
27 in.

MOTORS

- 30 hp, 3600 RPM's
- 208-230 / 460 volts
- 1.15 service factor
- Frame: 286TS
- 3 Phase
- Totally enclosed fan-cooled (TEFC)

NOTE: Wiring and controls to be provided by the purchaser. Additional motor specifications available upon request. Additional voltages available on special order.

EQUIPMENT OPTIONS

- Green, Red, Blue or Custom Bag Colors
- Silencing Package
- AirGate
- Tunnel Heater
- Mist Eliminator

Weight: 2055 lbs. (approximate)

GENERAL DESCRIPTION

The IP730 contains Proto-Vest's all new logic system that gives this dryer the intelligence to perform all of the necessary actions to produce a proficiently dried vehicle. Its integrated processor will recognize tonneau covers, open bed pick ups, turn the dryer on/off, and open/close the Proto-Vest Airgate between cars. Best of all there are no manual adjustments required when using the IP730, making it a completely self contained unit.

This patented dryer is composed of one 30-hp magnum blower, plenum and seven Proto-Duck™ air delivery bags. The IP730's bags float approximately three to four inches away from the vehicle's surface to provide touch-free drying. Since it proficiently performs at a wide variety of line speeds, the IP730 is ideal for high profile and high volume car wash operations.

The IP730's logic system enables the dryer to perform as a truly stand alone, self contained unit. These features are all managed by an on board microprocessor and include: on/off, open bed pick up, tonneau cover and AirGate recognition with self diagnostic functions.

Proto-Vest's stringent standards in material selection for its dryers result in extended equipment life and reduced maintenance. The IP730's blower assembly is manufactured from steel that is powder coated and the plenum is constructed from 5052-H32 aluminum while the bags are produced from durable Proto-Duck™ material to resist corrosion and tearing.

FEATURES / BENEFITS

Integrated Processor Logic System: The IP Series will recognize pick ups, perform open bed functions, turn the dryer on/off, and open/close the Proto-Vest Airgate between cars. There are no manual adjustments required when using the IP Series.

Patented Design: Pressurized air flows through seven patented air delivery bags which strip the water from the vehicle's horizontal and vertical surfaces. It dries the hood, roof, deck, windows and sides of the vehicle.

Line Speed Efficiency: The IP730 dryer is the most efficient touchless drying system made. By utilizing only one 30-hp load limiting blower, this system will consume less energy while performing effectively at a variety of line speeds.

DECIBEL READINGS

(WS)	(WOS)
IP730 - (1) 30hp dryer:	
WS: 10 ft=76.9 dBA;	WOS: 10 ft=91 dBA
WS: 20 ft=70.9 dBA;	WOS: 20 ft=84.9 dBA
WS: 30 ft=67.4 dBA;	WOS: 30 ft=81.4 dBA
WS: 40 ft=64.9 dBA;	WOS: 40 ft=78.9 dBA
WS: 50 ft=63 dBA;	WOS: 50 ft=77 dBA
(The above decibel readings are interpolated.)	

SERVICE / SUPPORT

Proto-Vest recognizes that support after the sale of equipment is critical to the success of our customers. Our company offers its customers access to a wide range of services including: field service technicians, factory direct aftermarket parts, and an engineering staff for custom designed applications.

Proto-Vest Patents:
 U.S.: 3,942,430; 4,161,801; 4,409,035; 4,418,442; 4,433,450; 4,445,251; 4,446,592; 4,589,160; 4,700,426; 5,027,714; 5,184,369; 5,187,881; 5,195,207; 5,280,665; 5,421,102; 5,553,346; 5,886,648; 5,901,461; 5,950,324; 5,960,564; 6,038,781; 6,176,024; 6,519,872; others pending.
 Canada: 1,021,996; 1,111,328; 1,190,453; 1,201,040; 1,197,439; 1,219,195; 1,219,192; 1,219,194; 1,258,026; 1,219,193; 2,013,749; 2,071,568; 2,071,239; 2,071,388; others pending.



*Specifications subject to change without notice.

**If starting motor over 10-12 times an hour it may be more efficient to leave blower on.

Proto-Vest, Inc., 7400 N. Glen Harbor Blvd., Glendale, AZ 85307 • 800-521-8218 • 623-872-8300 • Fax 623-872-6150
 www.proto-vest.com

© Copyright 1998, Proto-Vest, Inc. All rights reserved.